

Location: \_\_\_\_\_

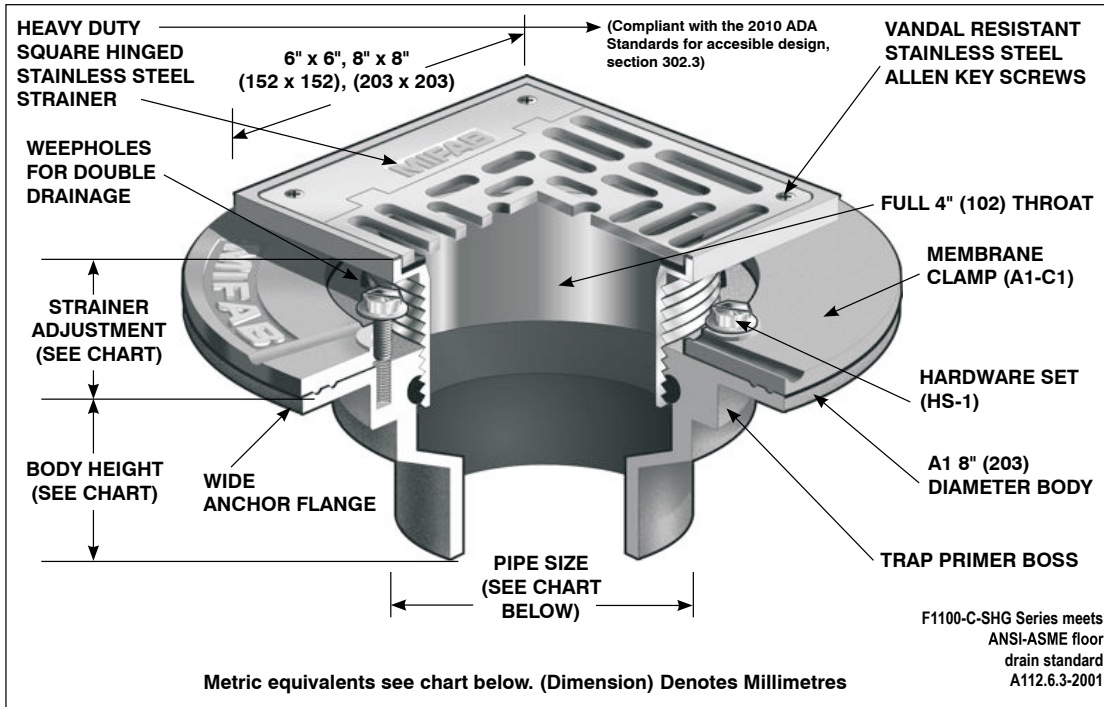


# F1100-C-SHG


## FLOOR DRAIN WITH SQUARE HINGED FOR MEMBRANE FLOOR AREAS

**Specification:** MIFAB® Series F1100-C-SHG(\*)-3 (\* specify strainer size) lacquered cast iron floor drain with anchor flange, cast iron membrane clamp with primary and secondary weepholes for waterproofing membrane and square, hinged heavy duty, polished stainless steel strainer. (For non-membrane floors, use MIFAB F1100-SHG Series.)


**Function:** Used in showers, kitchens, restrooms and other membrane finished areas. Hinged grate ensures that grate is not lost during maintenance. Square adjustable stainless steel hinged strainer is used for all types of poured finished floors.




**PARTS:**




A1 BODY



SHG(\*)-3  
(\*) Denotes Strainer Size (6"x6" or 8"x8")



A1-C1



HS-1

STRAINER SIZE	STRAINER ADJUSTMENT		ANSI/ASME RATING		PIPE SIZE	BODY HEIGHT				
			FREE AREA	LOAD RATING S.S. (-3)		NO HUB (STANDARD)	PUSH ON (P)	THREADED (T)	INSIDE CAULK (X)	PVC/ABS (-30)/(-31)
	MIN	MAX								
6" x 6" (152 x 152)	11/16" (17)	1 1/2" (38)	9 in <sup>2</sup>	5000 to 7499	2" (51)	3" (76)	3 3/8" (86)	2 1/4" (57)	3 3/4" (95)	2 15/16" (75)
			(7700 <sup>2</sup> )	LBS.	3" (76)	3" (76)	3 3/8" (86)	2 5/8" (67)	3 3/4" (95)	3 3/4" (95)
8" x 8" (203 x 203)	11/16" (17)	2 1/4" (57)	18 in <sup>2</sup>	5000 to 7499	4" (102)	3" (76)	3 3/8" (86)	2 5/8" (67)	3 3/4" (95)	3 3/4" (95)
			(11600 <sup>2</sup> )	LBS.	5" (127)	3" (76)	--	2 5/8" (67)	3 3/4" (95)	--
					6" (152)	3 1/4" (83)	6 1/2" (165)	--	--	--

SUFFIX	OPTIONAL VARIATIONS
-3	Stainless steel strainer (vener for 9")
-5	Sediment bucket
-6	Security screws (T-20 Torx & pin)
-7	1/2" trap seal primer connection
-8	Backwater valve (2", 3", 4")
-11	Acid resistant epoxy coated body
-13	Galvanized body
-15	Extension
-21	Secondary flat stainless steel strainer (2", 3", 4")
-28	Stainless steel body (Type 304)
-30	PVC socket connection body
-31	ABS socket connection body
-34	Closure plug
-40	Underdeck clamp
-41	Sump receiver

SUFFIX	OPTIONAL VARIATIONS
-49	Chrome Plated Strainer Assembly
-90	Threaded side outlet (2", 3", 4") (cast iron only)
-90NH	No hub side outlet (2", 3", 4") (cast iron only)
-95	Client logo
-BA	Minimum 51% material cost made in the USA
-C2	High rough-in membrane clamp (min. 1 9/16" (40))
-F4	4" Round funnel
-F6	6" Round funnel
(Standard)	No hub outlet
-MG	MI-GARD Floor Drain Trap Sealer (2", 3" or 4")
P	Push on outlet
-PA	Pennsylvania Steel Act compliant product
T	Threaded outlet (2", 3", 4")
X	Inside caulk outlet
-Z	Extended wide elastomeric flange

CALIFORNIA PROPOSITION 65 WARNING. This product contains chemicals known to the State of California to cause cancer and birth defects or other reproductive harm.

Job Name: \_\_\_\_\_ Page No: \_\_\_\_\_  
 Section No: \_\_\_\_\_ Contractor: \_\_\_\_\_  
 Schedule No: \_\_\_\_\_ Purchase Order No: \_\_\_\_\_